

Wide Base Plate Connector Clamps

Aluminum, Split Assembly

SPECIFICATION

Identification no.

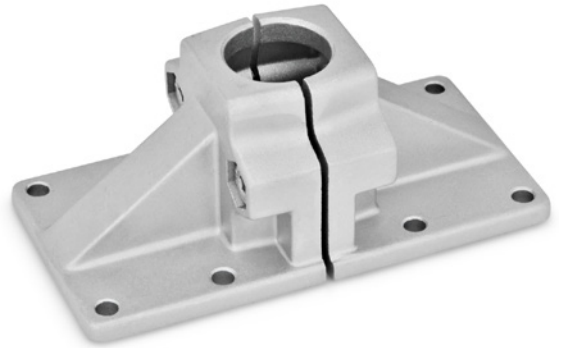
No. **2**: With 2 stainless steel socket cap screws DIN 912

Aluminum

- Powder coated
Black, RAL 9005, textured finish **SW**
- Plain finish, matte shot-blasted **BL**

Socket cap screws DIN 912
Stainless steel AISI 304

Hex nuts DIN 985
Stainless steel AISI 304
Self-locking via polyamide ring



INFORMATION

The clamping bore of wide base plate connector clamps GN 167 is not machined and designed for construction tubes GN 990 (see page 1902) or DIN 2391, DIN 2395 and DIN 2462.

The versions with square bores are also suitable for use with **profile systems**.

At the screw locations **z** the socket cap screws reduce the bore cross-section for clamping.

For clamping without tools, the socket cap screws can be replaced by the adjustable hand levers GN 911 (see page 1874) listed in the table as accessories.

ACCESSORY

- Construction Tubes GN 990 (see page 1902)
- Adjustable Hand Levers GN 911 (see page 1874)

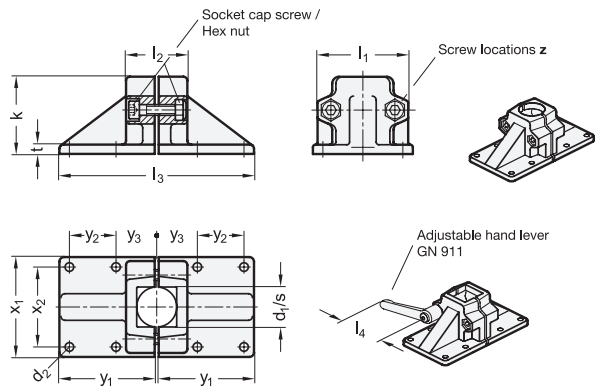
TECHNICAL INFORMATION

- Stainless Steel Characteristics (see page A26)

* Complete with

SW BL
RAL9005 Plain

GN 167-B



Description	d ₁ Bore	d ₂	k Clamping length	l ₁	l ₂	l ₃	t	x ₁	x ₂	y ₁	y ₂	y ₃	z Screw locations	Accessory Recom. hand lever GN 911 for z l ₄	⚖
GN 167-B20-2-*	B 20	7	58	69	46	146	7	75	60	72	35	30	M8-35	63 78	394
GN 167-B25-2-*	B 25	7	58	69	46	146	7	75	60	72	35	30	M8-35	63 78	388
GN 167-B30-2-*	B 30	7	58	69	46	146	7	75	60	72	35	30	M8-35	63 78	384
GN 167-B40-2-*	B 40	11	91	98	70	219	14	115	90	108	50	45	M10-60	78 92	1222
GN 167-B42-2-*	B 42	11	91	98	70	219	14	115	90	108	50	45	M10-60	78 92	1214
GN 167-B45-2-*	B 45	11	91	98	70	219	14	115	90	108	50	45	M10-60	78 92	1194
GN 167-B48-2-*	B 48	11	91	98	70	219	14	115	90	108	50	45	M10-60	78 92	1172
GN 167-B50-2-*	B 50	11	91	98	70	219	14	115	90	108	50	45	M10-60	78 92	1154
GN 167-B60-2-*	B 60	11	100	108.5	82	260	14	125	100	128	52	65.5	M10-70	-	1136

GN 167-S

Description	s Square	d ₂	k Clamping length	l ₁	l ₂	l ₃	t	x ₁	x ₂	y ₁	y ₂	y ₃	z Screw locations	Accessory Recom. hand lever GN 911 for z l ₄	⚖
GN 167-V20-2-*	V 20	7	58	69	46	146	7	75	60	72	35	30	M8-35	63 78	398
GN 167-V25-2-*	V 25	7	58	69	46	146	7	75	60	72	35	30	M8-35	63 78	374
GN 167-V30-2-*	V 30	7	58	69	46	146	7	75	60	72	35	30	M8-35	63 78	368
GN 167-V40-2-*	V 40	11	91	98	70	219	14	115	90	108	50	45	M10-60	78 92	1260
GN 167-V45-2-*	V 45	11	91	98	70	219	14	115	90	108	50	45	M10-60	78 92	1148
GN 167-V50-2-*	V 50	11	91	98	70	219	14	115	90	108	50	45	M10-60	78 92	1048
GN 167-V60-2-*	V 60	11	100	108.5	82	260	14	125	100	128	52	65.5	M10-70	-	948

Weight SW

